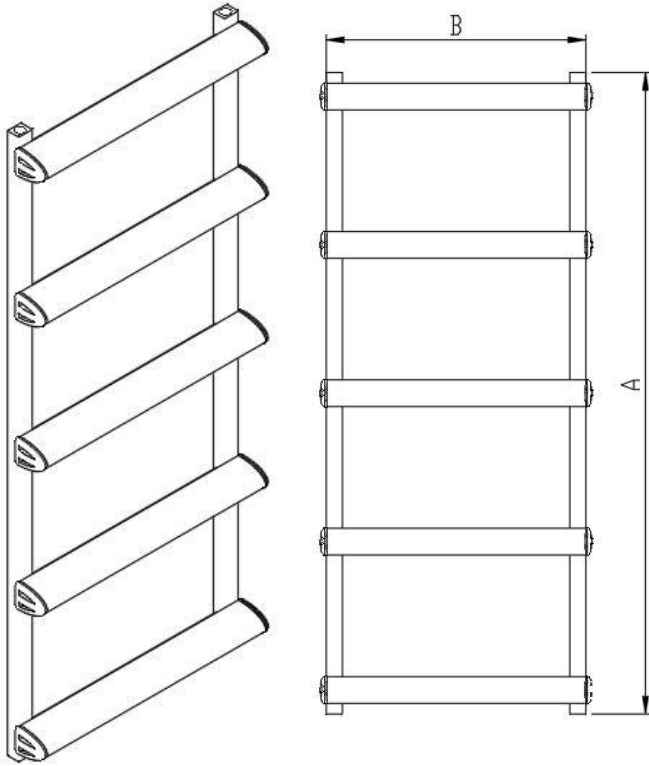


# PERIDOT LINE

# LOJIMAX

Design Radiators

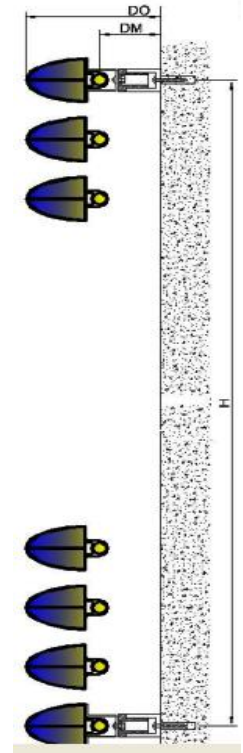
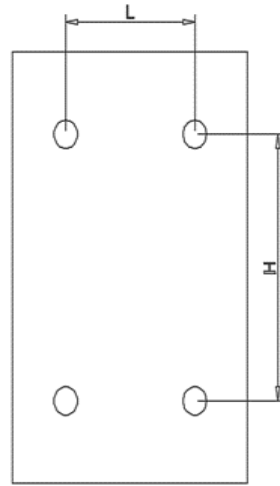
## MODEL 3D VIEW



## TECHNICAL INFORMATION

NUMBER OF SECTIONS	TOWEL RADIATOR HEIGHT (MM) "A"	INSTALLATION HEIGHT (MM) "H"	TOWEL RADIATOR WEIGHT (MM) "B"	AXLE WEIGHT (MM)	INSTALLATION WEIGHT (MM) "L"
3	700	590	400	355	255
4	1000	890	500	455	355
5	1200	1090	600	555	455
6	1400	1290			
7	1700	1590			

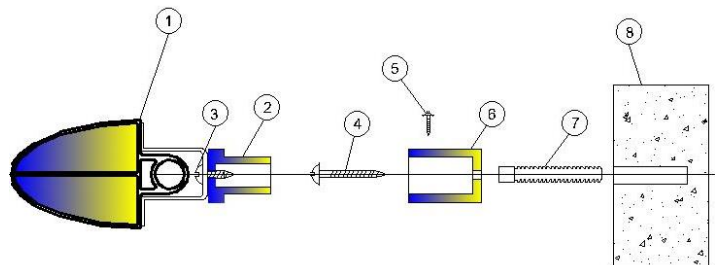
DO	132-162 mm
DM	58,5-88,5 mm



1	TOWEL RADIATOR
2	TOWEL RADIATOR HANGER
3	SELF-DRILLING SCREW
4	SCREW (FOR BRICK WALL)
5	FIXING SCREW
6	WALL HANGER
7	PEG
8	WALL
9	
10	
11	
12	

## INSTALLATION SET CONTENT

RADIATOR HANGER X4	WALL HANGER X4		
AIR RELIEF COCK X1	BLING PLUG X1	PLUG COVER X2	
SCREW (FOR WALL) X4	PEG X4	FIXING SCREW X4	SELF-DRILLING SCREW X4



ULUKENT SANAYI BOLGESI 29 EKIM MH. 10002 SK. NO:18/C MENEMEN-IZMIR / TURKEY

P: +90 232 700 0 224 E-MAIL: info@lojimax.com.tr

www.lojimax.com.tr