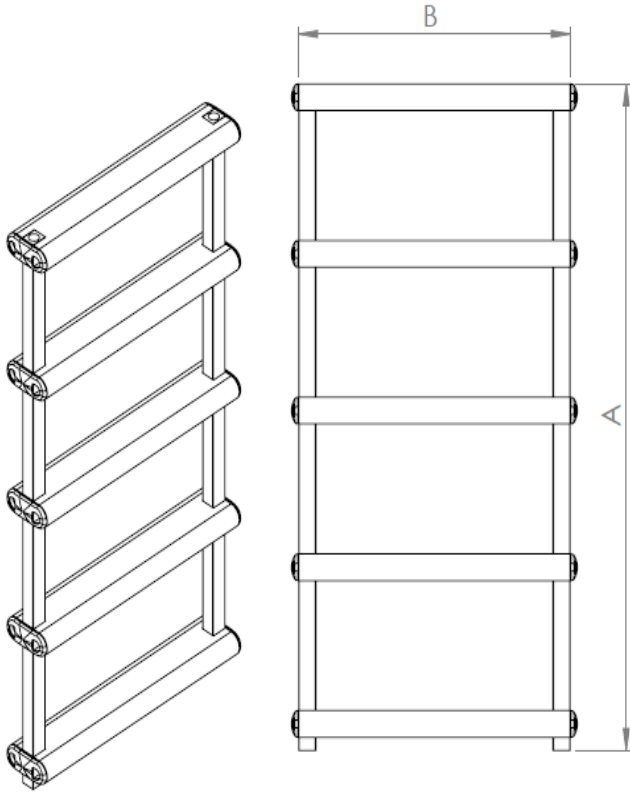


VERO LINE

LOJIMAX

Design Radiators

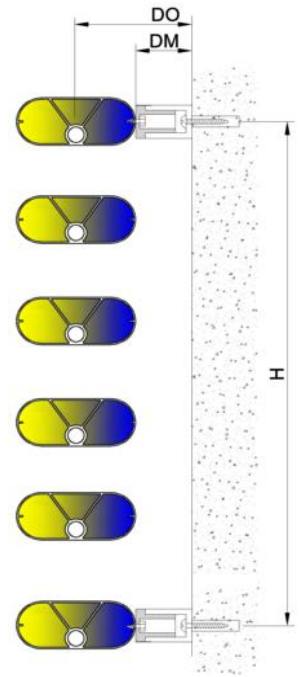
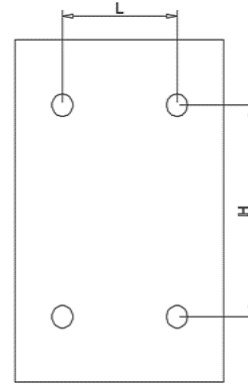
MODEL 3D VIEW



TECHNICAL INFORMATION

NUMBER OF SECTIONS	TOWEL RADIATOR HEIGHT (MM) "A"	INSTALLATION HEIGHT (MM) "H"	TOWEL RADIATOR WEIGHT (MM) "B"	AXLE WEIGHT (MM)	INSTALLATION WEIGHT (MM) "L"
4	700	640	400	355	255
5	1000	940	500	455	355
6	1200	1140	600	555	455
7	1400	1340			
8	1700	1640			

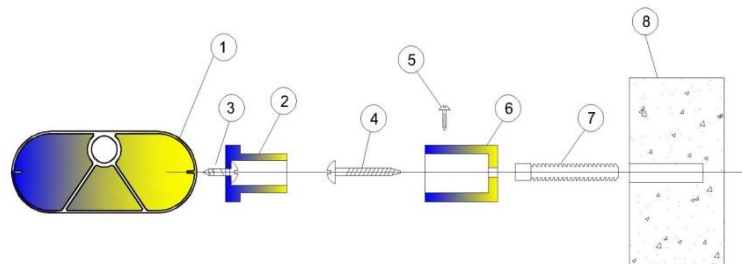
DO	144-164 MM
DM	96-116 MM



1	TOWEL RADIATOR
2	TOWEL RADIATOR HANGER
3	SELF-DRILLING SCREW
4	SCREW (FOR BRICK WALL)
5	FIXING SCREW
6	WALL HANGER
7	PEG
8	WALL
9	
10	
11	
12	

INSTALLATION SET CONTENT

RADIATOR HANGER X4	WALL HANGER X4	SELF-DRILLING SCREW X4	
AIR RELIEF COCK X1	BLING PLUG X1	PLUG COVER X2	
SCREW (FOR WALL) X4	PEG X4	FIXING SCREW X4	



ULUKENT SANAYI BOLGESI 29 EKIM MH. 10002 SK. NO:18/C MENEMEN-IZMIR / TURKEY

P: +90 232 700 0 224 E-MAIL: info@lojimax.com.tr

www.lojimax.com.tr